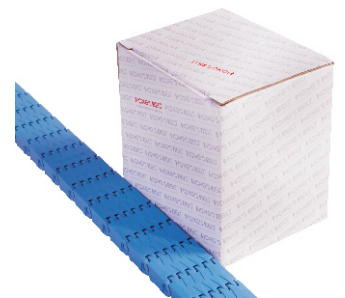
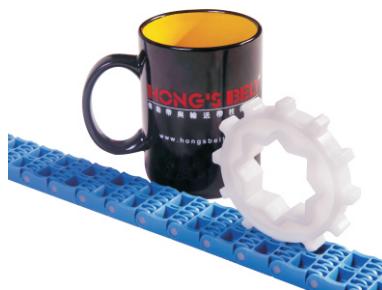
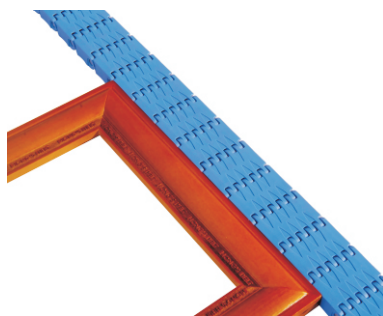
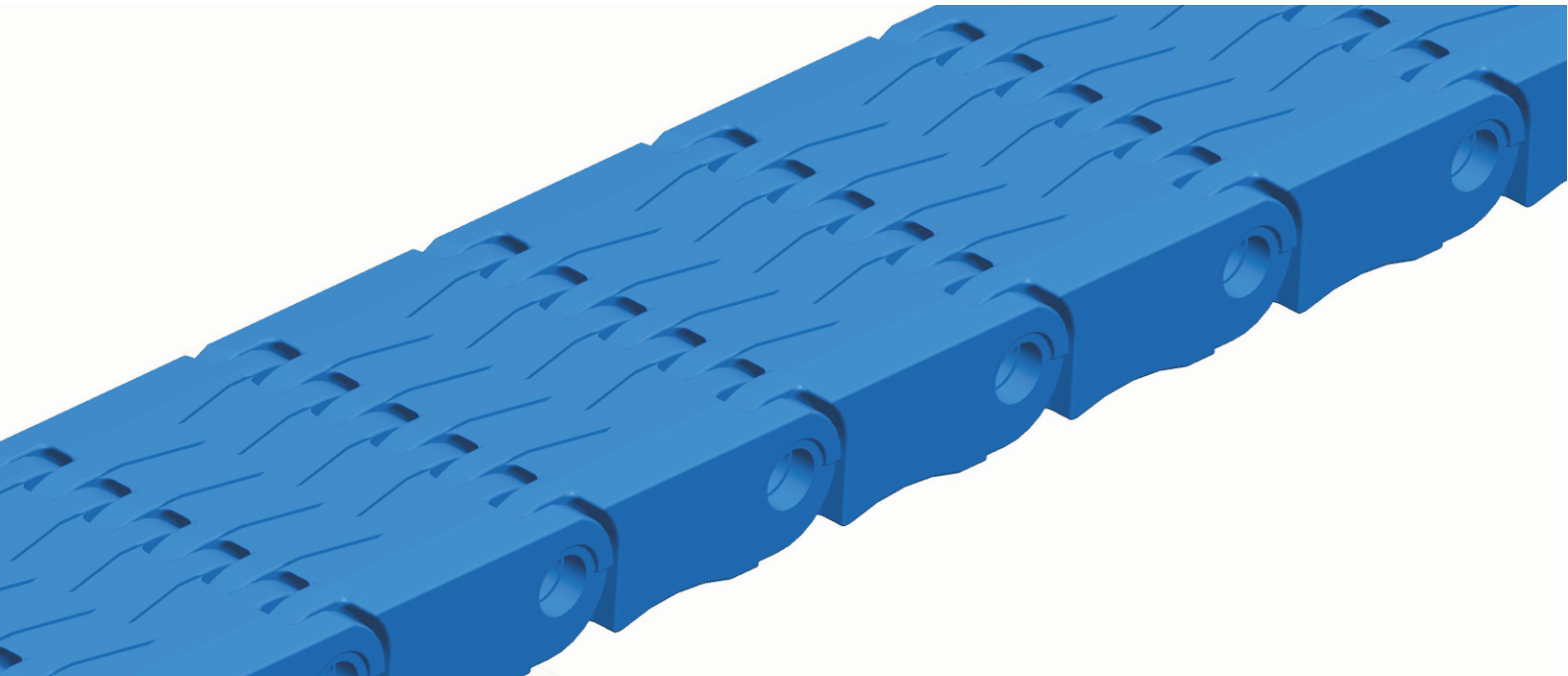


## HS-4800D-38mm Technical Data Sheet



Pitch: 25.4mm Minimum Width: 38mm Open Area: 0% Approved: FDA Rod: Ø 4.9mm Flight: No Side Guard: No Curve: No	
---	--

## Data

Belt Material	Belt Strength			Temperature		Belt Weight (Kg/M <sup>2</sup> )
	Straight		Curve	°C (min.)	°C (max.)	
	Kg/M(BW)	N/M(BW)				
Polypropylene	2500	25000	--	1	100	8.4
Acetal	4000	40000	--	-40	80	10.4

**BW – Belt Width**

## Color Table

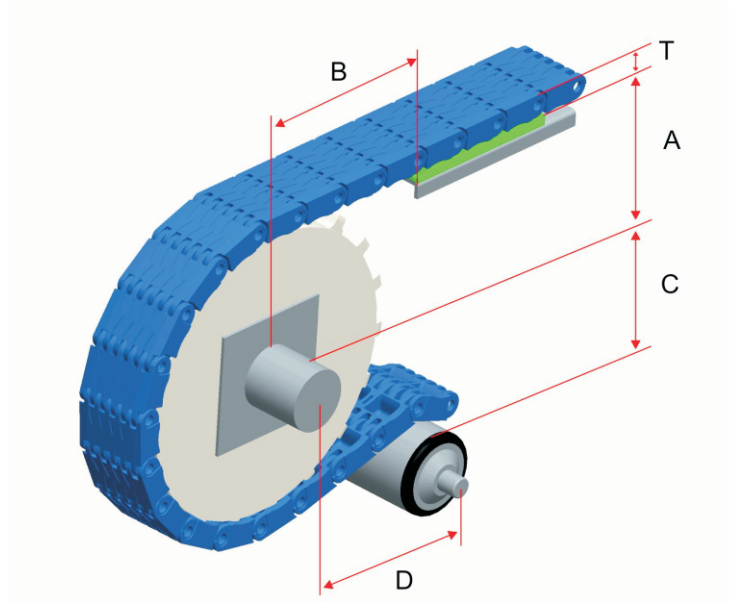
Polypropylene					Polyethylene					Acetal				
W	G	N	DB	B	W	G	N	DB	B	W	G	N	DB	B
●	●						●			●			●	●

W-White, G-Gray, N-Nature, DB-Darkbrown, B-Blue

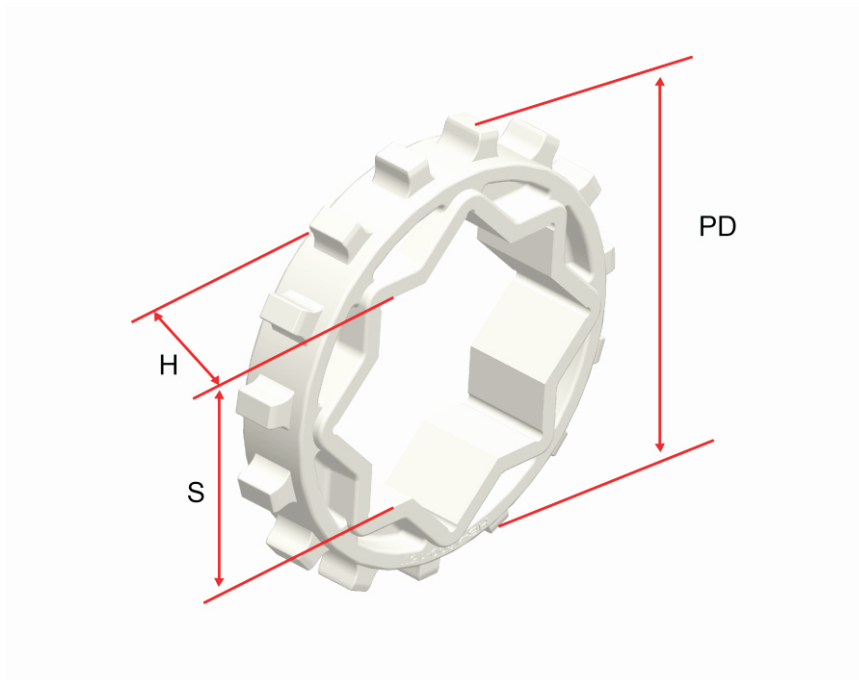
## Friction Table

Belt Material	Friction Wear strips & Products							
	UHMW	HDPE	Steel	Glass	SUS	Plastic	Cardboard	Aluminum
Polypropylene	0.32	0.24	0.15	0.09	0.13	0.08	0.15	0.25
Polyethylene	0.13	0.11	0.26	0.19	0.31	0.16	0.21	0.41
Acetal	0.11	0.09	0.27	0.16	0.26	0.15	0.19	0.28

SUS – Stainless Steel



No. Teeth	A (Min.)	B (Min.)	C (Max.)	D (Min.)	T
12	42.15	58.4	40	300	12.5
15	54.5	70.75	52.25	300	



**Sprocket Dimensions**

Unit: mm

No. Teeth	PD	S	D	H	K
12	96.79	38.2/40.2	40.2	18	12x8
15	121.5	38.2/40.2/60.2/63.5	--	25	--